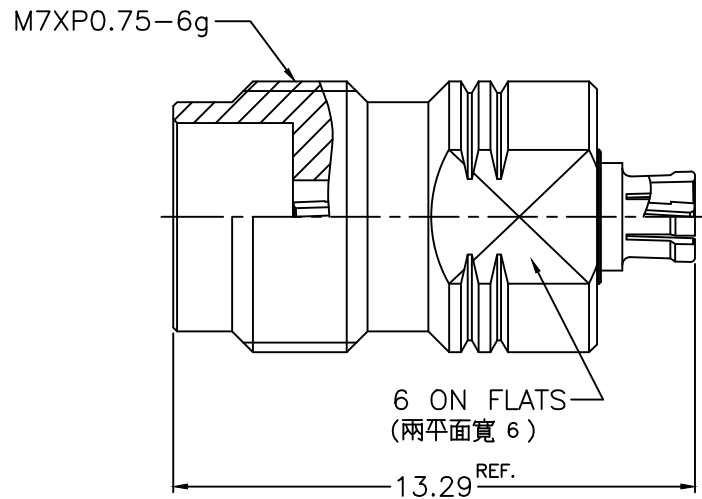


1 2 3 4 5 6 7 8

REVISIONS

ISS	ZONE	DESCRIPTION\PER REQUEST\DATE



NOTES: FINISH (PLATING THICKNESS IN MICRO-INCHES)

- 1. BERYLLIUM COPPER
- 2. STAINLESS STEEL
- 3. PASSIVATED
- 4. GOLD PL. 10 MIN. THICK OVER ELECTROLESS NICKEL PL. 100 MIN. THICK
- 5. ULTEM 1000

RoHS COMPLIANT

DIMENSIONS ARE IN MILLIMETERS			
UNLESS OTHERWISE SPECIFIED TOLERANCES			
0.5-6	=	±0.2	
6-30	=	±0.4	
30-120	=	±0.6	
120-315	=	±1	
315-1000	=	±1.6	
1000-2000	=	±2.4	

PART NO.	
APPROVED	DATE 02-09-'23
CHECKED	DATE 02-09-'23
DRAWN ALAN	DATE 02-09-'23

G.L.I.	
TITLE 1.85mm JACK TO MINI-SMP PLUG(F) ADAPTOR	
DRAWING NO. 100-185F-SMPMF3-50	
FILE NO. R:\D\DWG\100\185F\SMPMF3\50	

NO.	DESCRIPTION	MATERIAL	FINISH	Q'TY	DRAWING NO.
4	BODY	NOTE 2	NOTE 3		
3	BODY	NOTE 1	NOTE 4		
2	INSULATOR	NOTE 5	NATURAL		
1	CONTACT PIN	NOTE 1	NOTE 4		

1 2 3 4 5 6 7 8